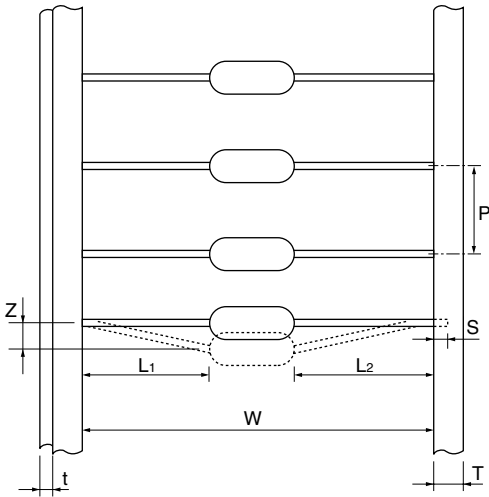


Packaging for Leaded Resistors

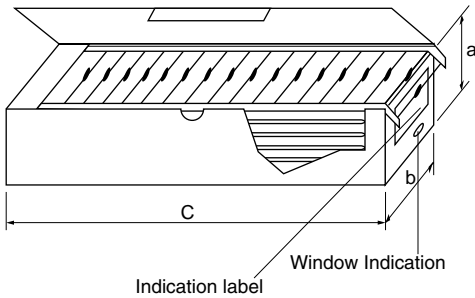
Unit : mm

●Tape



Style	W	L ₁ -L ₂	T	t	P	Z	S
RNV1	52 ⁺² ₋₁	1.0max.	6.0±0.5	0.5max.	5.0±0.3	1.0max.	3.2min.
RC1/4	52.4 ^{+1.6} _{-1.4}				5.08±0.38		
RC1/2 RC1/2U							

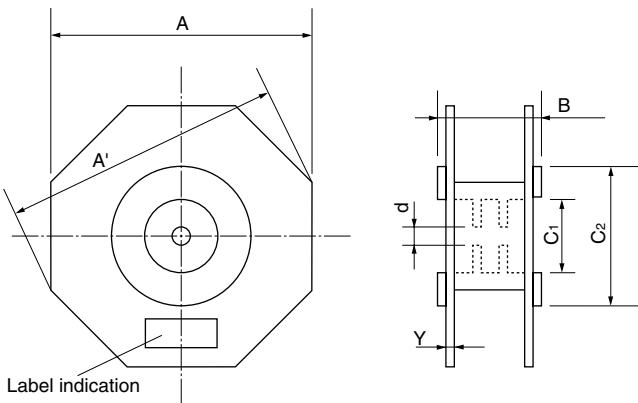
●Ammo Box



Unit : mm

Style	Code	a	b	c
RNV1	TB 52mm Width Tape	85±5	75±5	275±5
RC1/4		60±5		
RC1/2 RC1/2U		65±5		455±5

●Tape & Reel (Code : TD)



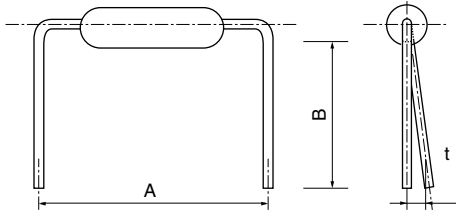
Unit : mm

Style	Code	A	*A'	B	C ₁	C ₂	d	*Y
RNV1 RC1/4, 1/2, 1/2U	TD	260±5	280	75 ± 5	60.4±1	78±1	14.5±0.5	3

*Value for reference

PACKAGING FOR LEADED RESISTORS

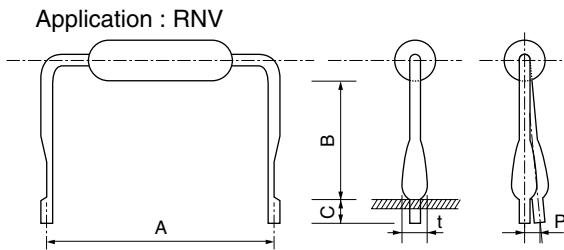
●Horizontal Forming (Code : H)



Unit : mm

Style	Code	A	B	t
RC1/4	H60	10.0±0.5	5.0 ± 0.5	1.5max.
RC1/4	H62	12.5±0.5		1.8max.
RC1/2 RC1/2U	H	15.0±0.5		1.5max.
RNV1	H77	15.0±1.0		
	H78	25.0±1.0		

●Horizontal Forming (Free-Standing) (Code : HB)



Unit : mm

Style	Code	A	B	C	t	P
RNV1	HB	15.0±1.0	8.0 ^{+1.5} / ₀	5.0±1.5	1.4±0.2	1.5max.

Note. Recommended PCB hole : RNV1 : φ0.9-φ1.05

Style	Tape & Reel					Ammo Box					Bulk Packaging				
	Q'ty / Reel (pcs.)	Reel Size (mm)	Outer Carton			Width of Taping (mm)	Q'ty / Box (pcs.)	Outer Carton			M.P.Q. (Q'ty / Plastic Bag pcs.)	Q'ty / Inner Carton (pcs.)	Outer Carton		
		Q'ty / Carton (pcs.)	Gross Weight (kg)	Measurement (m ²)			Q'ty / Carton (pcs.)	Gross Weight (kg)	Measurement (m ²)			Q'ty / Carton (pcs.)	Gross Weight (kg)	Measurement (m ²)	
RC1/2U	3,000	260	24,000	13	0.04	52	2,000	30,000	16	0.05	500 (100×5)	5,000	30,000	13	0.04
RC1/2	3,000	260	24,000	13	0.04	52	2,000	30,000	16	0.05	500 (100×5)	5,000	30,000	13	0.04
RC1/4	5,000	260	40,000	12	0.04	52	2,000	30,000	10	0.03	1000 (200×5)	10,000	50,000	13	0.04
RNV1	1,500	260	12,000	12	0.04	52	1,000	12,000	11	0.02	250 (50×5)	4,000	12,000	10	0.03