

## Data sheet

Title: FIXED THICK FILM CHIP RESISTORS; RECTANGULAR  
TYPE AND HIGH VOLTAGE

Style: RVC16,20,32,50,63

AEC-Q200 qualified

RoHS COMPLIANCE ITEM  
Halogen and Antimony Free

- Note:
- Stock conditions  
Temperature: +5°C ~ +35°C  
Relative humidity: 25% ~ 75%  
The period of guarantee: Within 2 year from shipment by the company.  
Solderability shall be satisfied.
  - Product specification contained in this data sheet  
are subject to change at any time without notice
  - If you have any questions or a Purchasing Specification for any quality  
Agreement is necessary, please contact our sales staff.



**釜屋電機株式會社**  
**KAMAYA ELECTRIC CO., LTD.**

Hokkaido Research Center  
Approval by: T. Sannomiya  
Drawing by: M. Shibuya

## 1. Scope

1.1 This data sheet covers the detail requirements for fixed thick film chip resistors; rectangular type, style of RVC16, 20, 32, 50, 63.

### 1.2 Applicable documents

JIS C 5201-1: 2011, JIS C 5201-8: 2014, JIS C 5201-8-1: 2014  
 IEC60115-1: 2008, IEC60115-8: 2009, IEC60115-8-1: 2014  
 EIAJ RC-2134C-2010

## 2. Classification

Type designation shall be the following form.

(Example) 

RVC	32	-	475	F	TP
1	2	3	4	5	6
Style					

1 Fixed thick film chip resistors; rectangular type and high voltage  Style

2 Size

3 Temperature coefficient of resistance

K	$\pm 100 \times 10^{-6} / ^\circ\text{C}$
-(Dash)	Standard

4 Rated resistance Example

475	E24 Series, 3 digit, Ex. 475--> 4.7M $\Omega$ ,
1000	E96 Series, 4 digit, Ex. 1000-->100 $\Omega$ 1022--> 10.2k $\Omega$

5 Tolerance on rated resistance

D	$\pm 0.5\%$
F	$\pm 1\%$
G	$\pm 2\%$
J	$\pm 5\%$
K	$\pm 10\%$

6 Packaging form

B	Bulk (loose package)
TP	Paper taping
TE	Embossed taping

### 3. Rating

3.1 The ratings shall be in accordance with Table-1.

Table-1

Style	Rated dissipation (W)	Temperature coefficient of resistance ( $10^{-6}/^{\circ}\text{C}$ )		Rated resistance range( $\Omega$ )	Preferred number series for resistors	Tolerance on rated resistance
RVC16	0.1	K	$\pm 100$	470~10M	E24, 96	D( $\pm 0.5\%$ ), F( $\pm 1\%$ ), G( $\pm 2\%$ )
					E24	J( $\pm 5\%$ ), K( $\pm 10\%$ )
		Standard	$\pm 200$	47~464	E24, 96	D( $\pm 0.5\%$ ), F( $\pm 1\%$ ), G( $\pm 2\%$ )
					E24	J( $\pm 5\%$ ), K( $\pm 10\%$ )
RVC20	0.25	K	$\pm 100$	100~10M	E24, 96	D( $\pm 0.5\%$ ), F( $\pm 1\%$ ), G( $\pm 2\%$ )
				100~51M	E24	J( $\pm 5\%$ ), K( $\pm 10\%$ )
		Standard	$\pm 200$	47~97.6	E24, 96	D( $\pm 0.5\%$ ), F( $\pm 1\%$ ), G( $\pm 2\%$ )
					E24	J( $\pm 5\%$ ), K( $\pm 10\%$ )
RVC32	0.25	K	$\pm 100$	100~10M	E24, 96	D( $\pm 0.5\%$ ), F( $\pm 1\%$ ), G( $\pm 2\%$ )
				100~51M	E24	J( $\pm 5\%$ ), K( $\pm 10\%$ )
		Standard	$\pm 200$	47~97.6	E24, 96	D( $\pm 0.5\%$ ), F( $\pm 1\%$ ), G( $\pm 2\%$ )
					E24	J( $\pm 5\%$ ), K( $\pm 10\%$ )
RVC50	0.5	K	$\pm 100$	470~10M	E24, 96	D( $\pm 0.5\%$ )
				470~20M		F( $\pm 1\%$ ), G( $\pm 2\%$ )
				470~51M		E24
		Standard	$\pm 200$	47~464	E24, 96	D( $\pm 0.5\%$ ), F( $\pm 1\%$ ), G( $\pm 2\%$ )
E24	J( $\pm 5\%$ ), K( $\pm 10\%$ )					
RVC63	1.0	K	$\pm 100$	560~10M	E24, 96	D( $\pm 0.5\%$ )
				560~20M		F( $\pm 1\%$ ), G( $\pm 2\%$ )
				560~51M		E24
		Standard	$\pm 200$	100~549	E24, 96	D( $\pm 0.5\%$ ), F( $\pm 1\%$ ), G( $\pm 2\%$ )
					E24	J( $\pm 5\%$ ), K( $\pm 10\%$ )
			$+500-200$	47~97.6	E24, 96	D( $\pm 0.5\%$ ), F( $\pm 1\%$ ), G( $\pm 2\%$ )
E24	J( $\pm 5\%$ ), K( $\pm 10\%$ )					

Style	Limiting element voltage(V)	Isolation voltage (V)	Category temperature range ( $^{\circ}\text{C}$ )
RVC16	200	100	-55~+155
RVC20	400	500	
RVC32	500		
RVC50	500		
RVC63	800		

### 3.2 Climatic category

55/125/56

Lower category temperature                      - 55  $^{\circ}\text{C}$   
 Upper category temperature                      +155  $^{\circ}\text{C}$   
 Duration of the damp heat, steady state test      56days

### 3.3 Stability class

5%

Limits for change of resistance:  
 -for long-term tests                       $\pm(5\%+0.1\Omega)$   
 -for short-term tests                       $\pm(1\%+0.05\Omega)$

### 3.4 Derating

The derated values of dissipation at temperature in excess of 70 °C shall be as indicated by the following curve.

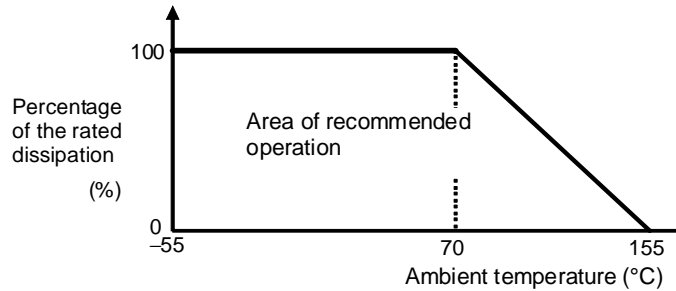


Figure-1 Derating curve

### 3.5 Rated voltage

d. c. or a. c. r. m. s. voltage calculated from the square root of the product of the rated resistance and the rated dissipation.

$$E = \sqrt{P \cdot R}$$

E : Rated voltage (V)

P : Rated dissipation (W)

R : Rated resistance (Ω)

Limiting element voltage can only be applied to resistors when the resistance value is equal to or higher than the critical resistance value.

At high value of resistance, the rated voltage may not be applicable.

### 4. Packaging form

The standard packaging form shall be in accordance with Table-2.

Table-2

Symbol	Packaging form		Standard packaging quantity / units	Application
B	Bulk (loose package)		1,000 pcs.	RVC16, 20, 32, 50, 63
TP	Paper taping	8mm width, 4mm pitches	5,000 pcs.	RVC16, 20, 32
TE	Embossed taping	12mm width, 4mm pitches	4,000 pcs.	RVC50, 63

## 5. Dimensions

5.1 The resistor shall be of the design and physical dimensions in accordance with Figure-2 and Table-3.

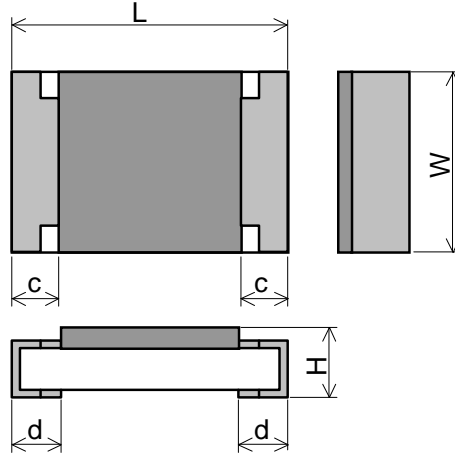


Figure-2

Table-3

Unit : mm

Style	L	W	H	c	d
RVC16	$1.6 \pm 0.1$	$0.8^{+0.15}_{-0.05}$	$0.45 \pm 0.10$	$0.3 \pm 0.1$	$0.3 \pm 0.1$
RVC20	$2.0 \pm 0.1$	$1.25 \pm 0.10$	$0.55 \pm 0.10$	$0.4 \pm 0.2$	$0.4 \pm 0.2$
RVC32	$3.1 \pm 0.1$	$1.6 \pm 0.15$		$0.5 \pm 0.25$	$0.5 \pm 0.25$
RVC50	$5.0 \pm 0.15$	$2.5 \pm 0.15$	$0.55 \pm 0.15$	$0.6 \pm 0.2$	$0.6 \pm 0.2$
RVC63	$6.3 \pm 0.15$	$3.2 \pm 0.15$			

## 5.2 Net weight (Reference)

Style	Net weight(mg)
RVC16	2
RVC20	5
RVC32	9
RVC50	25
RVC63	40

## 6. Marking

The Rated resistance shall be marked in 3 digits (E24) or 4 digits (E96) and marked on over coat side.

The Rated resistance of RVC16 should not be marked in 4 digits.

(Example) "123"  $\rightarrow 12 \times 10^3 [\Omega] \rightarrow 12 [\text{k}\Omega]$

"5623"  $\rightarrow 562 \times 10^3 [\Omega] \rightarrow 562 [\text{k}\Omega]$

"51R1"  $\rightarrow 51.1 [\Omega]$



Table-4(2)

No	Test items	Condition of test (JIS C 5201-1)	Performance requirements
6	Mounting  Bound strength of the end face plating  Final measurements	Sub-clause 4.31 Substrate material: Epoxide woven glass Test substrate: Figure-4 Sub-clause 4.33 Bent value: 3 mm (3216 size max.) 1 mm (5025 size min.)  Resistance Sub-clause 4.33.6 Visual examination	$\Delta R \leq \pm (1\%+0.05\Omega)$ No visible damage
7	Resistance to soldering heat   Component resistance solvent	Sub-clause 4.18 Solder temperature: $260\text{ }^\circ\text{C} \pm 5\text{ }^\circ\text{C}$ Immersion time: $10\text{ s} \pm 0.5\text{ s}$ Visual examination  Resistance Sub-clause 4.29 Solvent: 2-propanol Solvent temperature: $23\text{ }^\circ\text{C} \pm 5\text{ }^\circ\text{C}$ Method 2 Recovery: 48 h Visual examination Resistance	As in 4.18.3.4 No sign of damage such as cracks. $\Delta R \leq \pm (1\%+0.05\Omega)$  No visible damage $\Delta R \leq \pm (1\%+0.05\Omega)$
8	Mounting  Adhesion  Rapid change temperature	Sub-clause 4.31 Substrate material: Epoxide woven glass Test substrate: Figure-3 Sub-clause 4.32 Force: 5 N Duration: $10\text{ s} \pm 1\text{ s}$ Visual examination Sub-clause 4.19 Lower category temperature: $-55\text{ }^\circ\text{C}$ Upper category temperature: $+125\text{ }^\circ\text{C}$ Duration of exposure at each temperature: 30 min. Number of cycles: 5 cycles. Visual examination Resistance	No visible damage       No visible damage $\Delta R \leq \pm (1\%+0.05\Omega)$

Table-4(3)

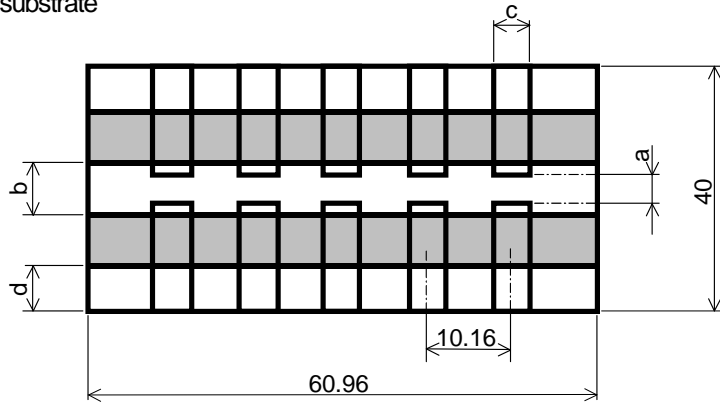
No	Test items	Condition of test (JIS C 5201-1)	Performance requirements
9	Climatic sequence -Dry heat  -Damp heat, cycle (12+12hour cycle) First cycle  -Cold  -Damp heat, cycle (12+12hour cycle) Remaining cycle  -D.C. load	Sub-clause 4.23 Sub-clause 4.23.2 Test temperature: +155 °C Duration: 16 h  Sub-clause 4.23.3 Test method: 2 Test temperature: 55 °C [Severity(2)]  Sub-clause 4.23.4 Test temperature -55 °C Duration: 2h  Sub-clause 4.23.6 Test method: 2 Test temperature: 55 °C [Severity (2)] Number of cycles: 5 cycles Sub-clause 4.23.7 The applied voltage shall be the rated voltage or the limiting element voltage whichever is the smaller. Duration: 1 min. Visual examination Resistance	No visible damage $\Delta R \leq \pm (5\%+0.1\Omega)$
10	Mounting   Endurance at 70 °C	Sub-clause 4.31 Substrate material: Epoxide woven glass (RVC63 may use Alumina substrate.) Test substrate: Figure-3 Sub-clause 4.25.1 Ambient temperature: 70 °C ± 2 °C Duration: 1000 h The voltage shall be applied in cycles of 1.5 h on and 0.5 h. The applied voltage shall be the rated voltage or the limiting element voltage whichever is the smaller. Examination at 48 h , 500 h and 1000 h: Visual examination Resistance	No visible damage $\Delta R \leq \pm (5\%+0.1\Omega)$



Table-4(4)

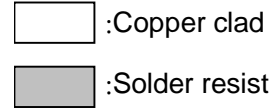
No	Test items	Condition of test (JIS C 5201-1)	Performance requirements
11	Mounting  Variation of resistance with temperature	Sub-clause 4.31 Substrate material: Epoxide woven glass Test substrate: Figure-3 Sub-clause 4.8 -55 °C / +20 °C +20 °C / +155°C	As in Table-1
12	Mounting  Damp heat, steady state	Sub-clause 4.31 Substrate material: Epoxide woven glass Test substrate: Figure-3 Sub-clause 4.24 Ambient temperature: 40 °C ± 2 °C Relative humidity : 93 $\frac{+2}{-3}$ % a) 1st group: without voltage applied. b) 2nd group: The d. c. voltage shall be applied continuously. The voltage shall be accordance with Sub-clause 4.24.2.1 b). without polarizing voltage [4.24.2.1, c] Visual examination  Resistance	No visible damage Legible marking $\Delta R \leq \pm (5\%+0.1\Omega)$
13	Dimensions (detail) Mounting  Endurance at upper category temperature	Sub-clause 4.4.3 Sub-clause 4.31 Substrate material: Epoxide woven glass Test substrate: Figure-3 Sub-clause 4.25.3 Ambient temperature:155 °C ± 2 °C Duration: 1000 h Examination at 48 h, 500 h and 1000 h: Visual examination Resistance	As in Table-3       No visible damage $\Delta R \leq \pm (5\%+0.1\Omega)$

## 8. Test substrate

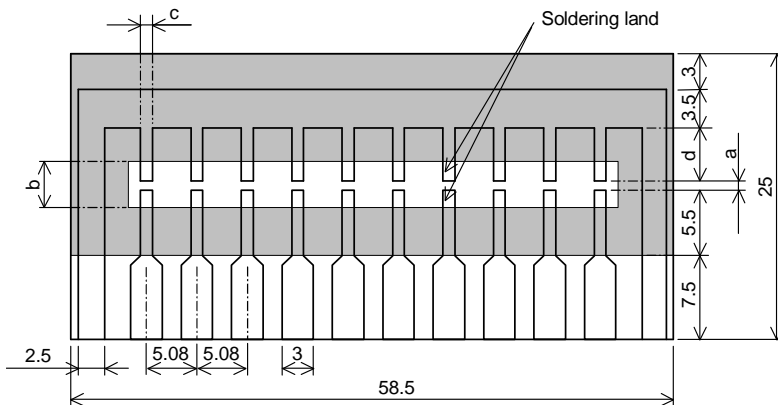


RVC50,63 TEST SUBSTRATE

Unit: mm

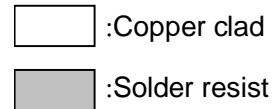


Style	a	b	c	d
RVC50	4.0	7.5	2.0	7.5
RVC63	5.0	9.0	4.5	7.5

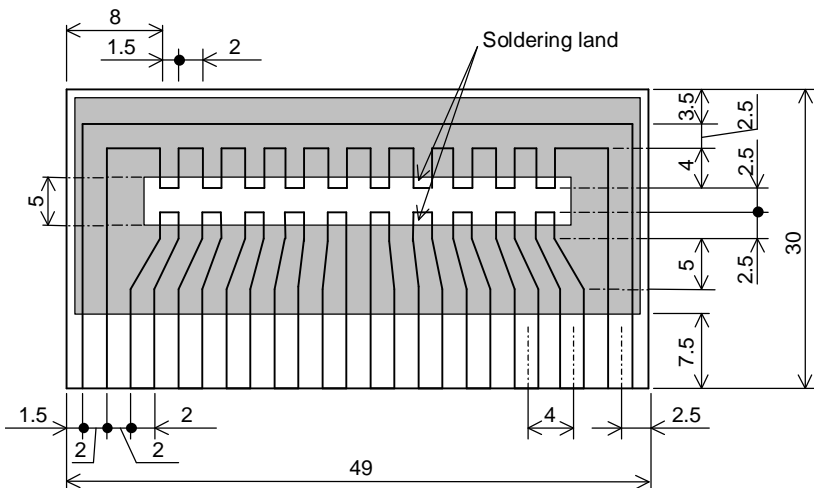


RVC16,20 TEST SUBSTRATE

Unit: mm



Style	a	b	c	d
RVC16	1.0	3.6	1.0	4.5
RVC20	1.2	4.0	1.5	4.3



RVC32 TEST SUBSTRATE

Unit: mm

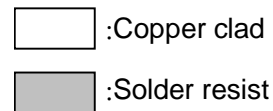
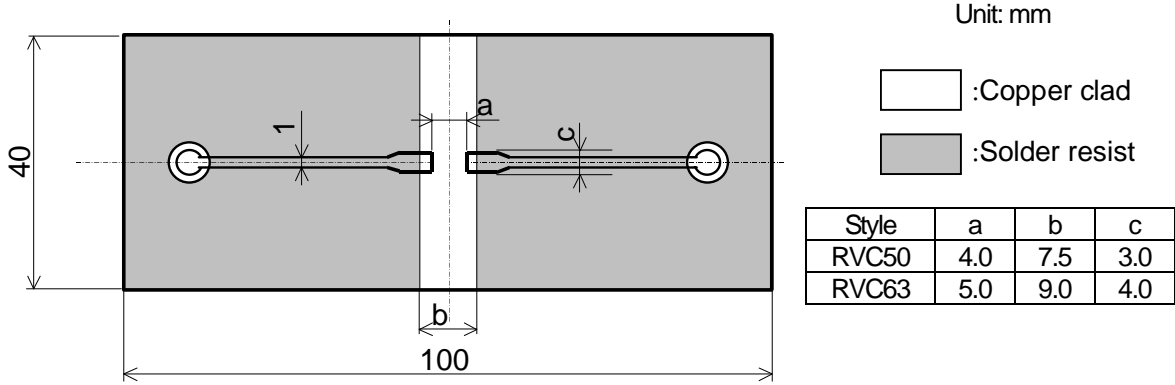
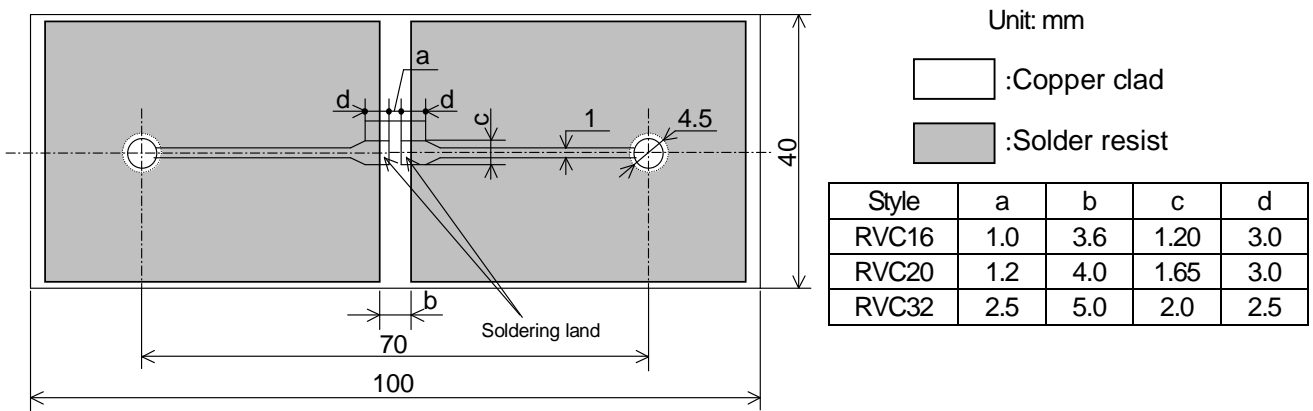


Figure-3

- Remark 1). Material: Epoxide woven glass  
Thickness: 1.6mm Thickness of copper clad: 0.035mm
- 2). In the case of connection by connector, the connecting terminals are gold plated.  
However, the plating is not necessary when the connection is made by soldering.



RVC50,63 BOUND STRENGTH OF THE END FACE PLATING TEST SUBSTRATE



Remark 1). Material: Epoxide woven glass

Thickness: 1.6mm Thickness of copper clad: 0.035mm

RVC16,20,32 BOUND STRENGTH OF THE END FACE PLATING TEST SUBSTRATE

Figure-4

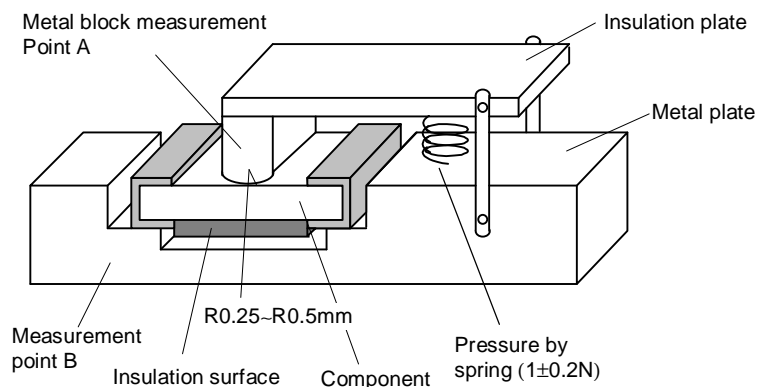


Figure-5

9. Taping

9.1 Applicable documents JIS C 0806-3: 2014, EIAJ ET-7200C: 2010

9.2 Taping dimensions

9.2.1 Paper taping (8mm width, 4mm pitches)

Taping dimensions shall be in accordance with Figure-6 and Table-5.

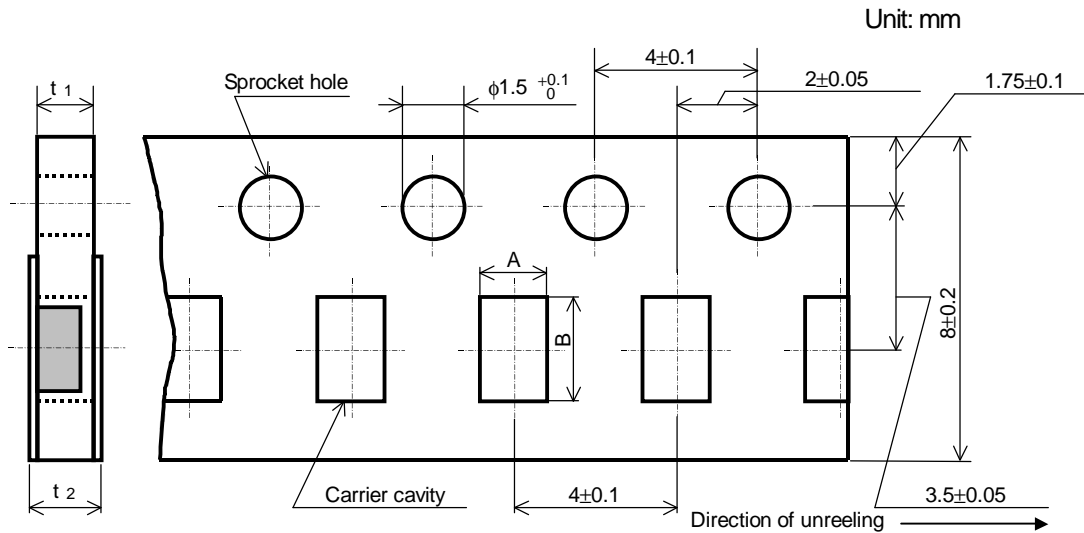


Figure-6

Table-5

Unit: mm

Style	A	B	t <sub>1</sub>	t <sub>2</sub>
RVC16	1.15±0.15	1.9±0.2	0.6±0.1	0.8max.
RVC20	1.65±0.15	2.5±0.2	0.8±0.1	1.0max.
RVC32	2.00±0.15	3.6±0.2		

9.2.2 Embossed taping dimensions shall be in accordance with Figure-7 and Table-6.

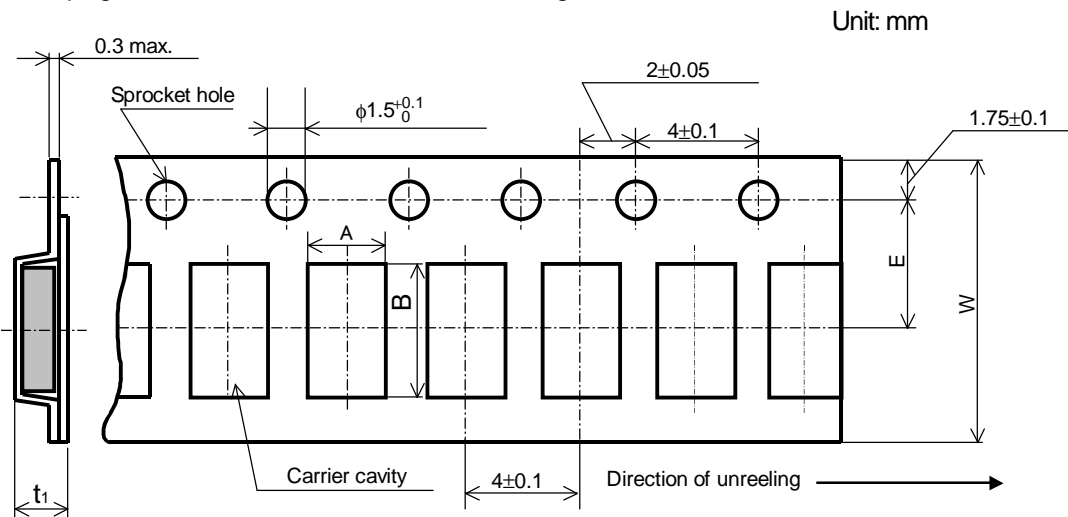


Figure-7

Table-6

Unit: mm

Style	A	B	W	E	t <sub>1</sub>
RVC50	3.1±0.2	5.5±0.2	12.0±0.3	5.5±0.05	1.1±0.15
RVC63	3.6±0.2	6.9±0.2			

- 1). The cover tapes shall not cover the sprocket holes.
- 2). Tapes in adjacent layers shall not stick together in the packing.
- 3). Components shall not stick to the carrier tape or to the cover tape.
- 4). Pitch tolerance over any 10 pitches  $\pm 0.2\text{mm}$ .
- 5). The peel strength of the top cover tape shall be within 0.1N to 0.5N on the test method as shown in the following RVC16,20,32: Figure-8, RVC50,63: Figure-9.
- 6). When the tape is bent with the minimum radius for RVC16,20,32: 25 mm, or RVC50,63: 30 mm, the tape shall not be damaged and the components shall maintain their position and orientation in the tape.
- 7). In no case shall there be two or more consecutive components missing.  
The maximum number of missing components shall be one or 0.1%, whichever is greater.
- 8). The resistors shall be faced to upward at the over coating side in the carrier cavity.

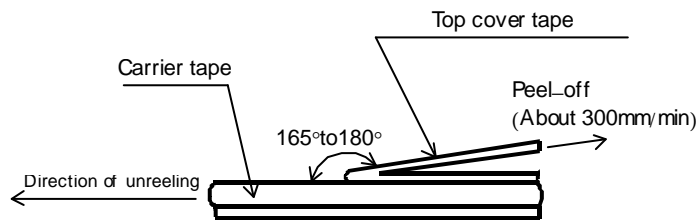


Figure-8

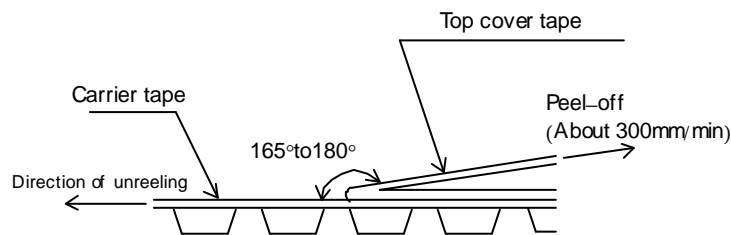


Figure-9

9.3 Reel dimension

Reel dimensions shall be in accordance with the following Figure-10 and Table-7.  
Plastic reel (Based on EIAJ ET-7200C)

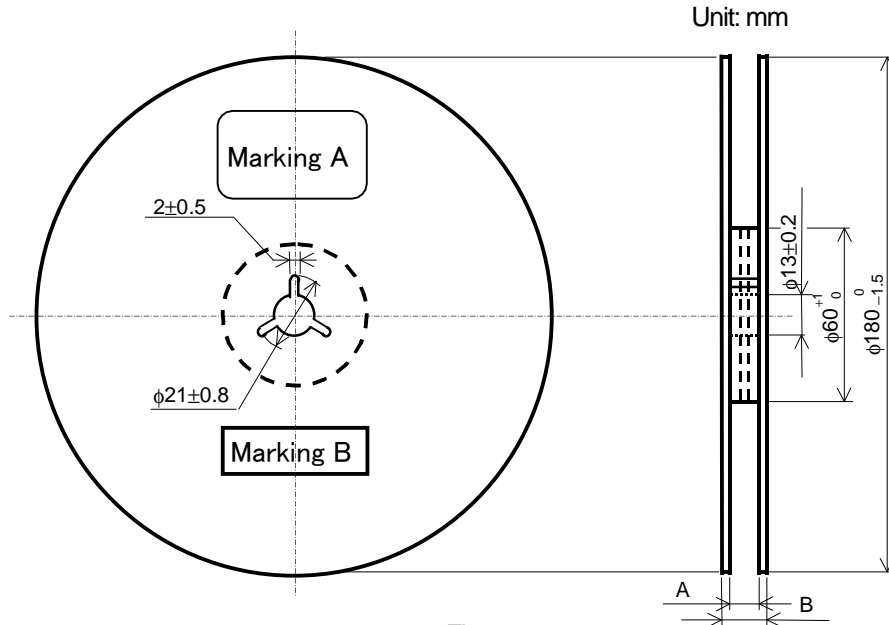


Figure-10

Table-7

Unit: mm

Style	A	B	Note
RVC16,20,32	$9_{0}^{+1.0}$	$11.4 \pm 1.0$	Injection molding
		$13 \pm 1.0$	Vacuum forming
RVC50,63	$13_{0}^{+1.0}$	$17 \pm 1.0$	Vacuum forming

Note: Marking label shall be marked on a place of Marking A or two place of marking A and B.

9.4 Leader and trailer tape.

(Example)

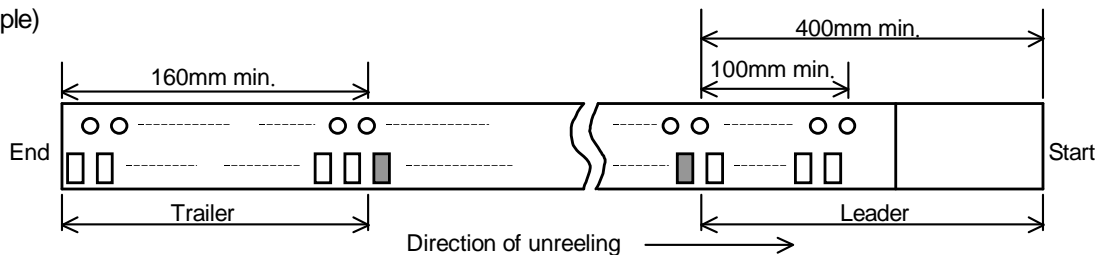


Figure-11

10. Marking on package

The label of a minimum package shall be legibly marked with follows.

10.1 Marking A

(1) Classification

(Style, Temperature coefficient of resistance, Rated resistance, Tolerance on rated resistance, Packaging form)

(2) Quantity (3) Lot number (4) Manufacturer's name or trade mark (5) Others

10.2 Marking B (KAMAYA Control label)