

Specification

Title: TRIMMABLE CHIP RESISTORS;
RECTANGULAR TYPE

Style: FCR1/16,1/10,1/8,1/4,1/2,1

RoHS COMPLIANCE ITEM
Halogen and Antimony Free

Product specification contained in this specification
are subject to change at any time without notice
If you have any questions or a Purchasing Specification for any quality
Agreement is necessary, please contact our sales staff.



釜屋電機株式會社
KAMAYA ELECTRIC CO., LTD.

Hokkaido Research Center
Approval by: T. Sannomiya
Drawing by: M. Shibuya

Note: Stock conditions

Temperature: +5°C ~ +35°C

Relative humidity: 25% ~ 75%

The period of guarantee: Within 2 year from shipment by the company.

Solderability shall be satisfied.

1. Scope

1.1 This specification covers the detail requirements for trimmable chip resistors; rectangular type, style of FCR1/16,1/10,1/8,1/4,1/2,1.

1.2 Applicable documents

JIS C 5201-1: 2011, JIS C 5201-8: 2014, JIS C 5201-8-1: 2014
 IEC60115-1: 2008, IEC60115-8: 2009, IEC60115-8-1: 2014
 EIAJ RC-2134C-2010

2. Classification

Type designation shall be the following form.

(Example)

| | | | | |
|-----|-----|-----|---|----|
| FCR | 1/8 | 123 | - | TP |
| 1 | 2 | 3 | 4 | 5 |

 Style

1 Trimmable chip resistors; rectangular type Style

2 Rated dissipation and / or dimension

3 Rated resistance Example

| | |
|-----|---------------------------------------|
| 123 | E24 Series, 3 digit, Ex. 123--> 12kΩ, |
|-----|---------------------------------------|

4 Tolerance on rated resistance

| | |
|---------|-------------|
| -(Dash) | $0_{-30}\%$ |
| L | $\pm 15\%$ |

5 Packaging form

| | |
|----|----------------------|
| B | Bulk (loose package) |
| TP | Paper taping |
| TE | Embossed taping |

3. Rating

3.1 The ratings shall be in accordance with Table-1.

The power dissipation shall be the value before resistors are trimmed.

Table-1

| Style | Rated dissipation (W) | Temperature coefficient of resistance ($10^{-6}/^{\circ}\text{C}$) | Rated resistance range(Ω) | Preferred number series for resistors | Tolerance on rated resistance |
|---------|-----------------------|--|------------------------------------|---------------------------------------|---|
| FCR1/16 | 0.063 | ± 200 | 10-4.7M | E24 | $0_{-30}\%$ (-) or $\pm 15\%$ (L) |
| FCR1/10 | 0.1 | $\pm 500-200$ | 1.0-9.1 | | |
| FCR1/8 | 0.125 | | 10-4.7M | | |
| FCR1/4 | 0.25 | ± 200 | 10-4.7M | | |
| FCR1/2 | 0.5 | | | | |
| FCR1 | 1.0 | | | | |

| Style | Limiting element voltage (V) | Isolation voltage (V) | Category temperature range ($^{\circ}\text{C}$) |
|---------|------------------------------|-----------------------|---|
| FCR1/16 | 50 | 100 | $-55\sim+125$ |
| FCR1/10 | 150 | 500 | |
| FCR1/8 | 200 | | |
| FCR1/4 | | | |
| FCR1/2 | | | |
| FCR1 | | | |

3.2 Climatic category

55/125/56

| | |
|--|---------|
| Lower category temperature | - 55 °C |
| Upper category temperature | +125 °C |
| Duration of the damp heat, steady state test | 56days |

3.3 Stability class

5%

Limits for change of resistance:

 -for long-term tests $\pm(5\%+0.1\Omega)$

 -for short-term tests $\pm(1\%+0.05\Omega)$

3.4 Derating

The derated values of dissipation at temperature in excess of 70 °C shall be as indicated by the following curve.

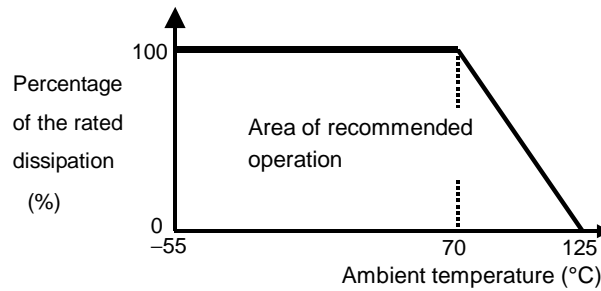


Figure-1 Derating curve

3.5 Rated voltage

d. c. or a. c. r. m. s. voltage calculated from the square root of the product of the rated resistance and the rated dissipation.

$$E = \sqrt{P \cdot R}$$

E : Rated voltage (V)

P : Rated dissipation (W)

 R : Rated resistance (Ω)

Limiting element voltage can only be applied to resistors when the resistance value is equal to or higher than the critical resistance value.

At high value of resistance, the rated voltage may not be applicable.

4. Packaging form

The standard packaging form shall be in accordance with Table-2.

Table-2

| Symbol | Packaging form | | Standard packaging quantity / units | Application |
|--------|----------------------|-------------------------|-------------------------------------|-------------------------------------|
| B | Bulk (loose package) | | 1,000 pcs. | FCR1/16,1/10, FCR1/8,1/4, 1/2, 1 |
| TP | Paper taping | 8mm width, 4mm pitches | 5,000 pcs. | FCR1/16,1/10,1/8 |
| TE | Embossed taping | 8mm width, 4mm pitches | 4,000 pcs. | FCR1/4 |
| | | 12mm width, 4mm pitches | | FCR1/2,1 |

5. Dimensions

5.1 The resistor shall be of the design and physical dimensions in accordance with Figure-2 and Table-3.

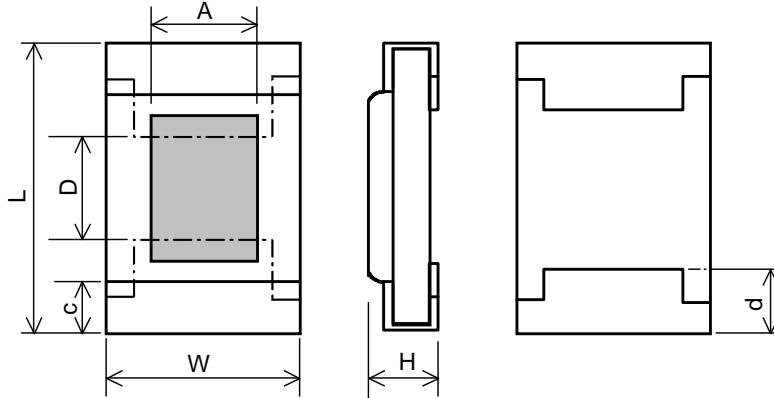


Figure-2
Table-3

Unit : mm

| Style | L | W | A | H | D | c |
|---------|----------|---------------------------------------|-----------|-----------|-----------|----------|
| FCR1/16 | 1.6±0.1 | 0.8 ^{+0.15} _{-0.10} | ---- | 0.45±0.10 | ---- | 0.3±0.1 |
| FCR1/10 | 2.0±0.1 | 1.25±0.10 | 0.71±0.10 | 0.55±0.1 | 0.66±0.10 | 0.4±0.2 |
| FCR1/8 | 3.1±0.1 | 1.6±0.15 | 0.95±0.10 | 0.55±0.1 | 1.3±0.1 | 0.5±0.25 |
| FCR1/4 | 3.1±0.15 | 2.5±0.15 | 1.84±0.10 | 0.55±0.15 | 1.32±0.10 | 0.5±0.25 |
| FCR1/2 | 5.0±0.15 | 2.5±0.15 | 1.7±0.1 | 0.55±0.15 | 2.82±0.10 | 0.6±0.2 |
| FCR1 | 6.3±0.15 | 3.2±0.15 | 2.35±0.10 | 0.55±0.15 | 4.0±0.1 | 0.6±0.2 |

| Style | d | Thickness of resistive film | Thickness of glass overcoat |
|---------|----------|-----------------------------|-----------------------------|
| FCR1/16 | 0.3±0.1 | ----- | ----- |
| FCR1/10 | 0.4±0.2 | 11±5 μ m | 13±5 μ m |
| FCR1/8 | 0.5±0.25 | | |
| FCR1/4 | | | |
| FCR1 | 0.6±0.2 | | |

*1. The resistance print shall be on to the horizontal (W) and vertical (L) direction within ±0.2mm.

5.2 Net weight (Reference)

| Style | Net weight(mg) |
|---------|----------------|
| FCR1/16 | 2 |
| FCR1/10 | 5 |
| FCR1/8 | 9 |
| FCR1/4 | 16 |
| FCR1/2 | 25 |
| FCR1 | 40 |

6. Performance

6.1 The standard condition for tests shall be in accordance with Sub-clause 4.2, JIS C 5201-1: 2011.

6.2 The performance shall be satisfied in Table-4.

6.3 The performance shall be the value before resistors are trimmed.

Table-4(1)

| No. | Test items | Condition of test (JIS C 5201-1) | Performance requirements |
|-----|--|---|---|
| 1 | Visual examination | Sub-clause 4.4.1 Checked by visual examination. | As in 4.4.1 |
| 2 | Dimension Resistance | Sub-clause 4.4.2 Sub-clause 4.5 | As specified in Table-3 of this specification. As in 4.5.2 The resistance value shall correspond with the rated resistance taking into account the specified tolerance. |
| 3 | Voltage proof | Sub-clause 4.7 Method: 4.6.1.4(See Figure-5) Test voltage: Alternating voltage with a peak value of 1.42 times the insulation voltage. Duration: 60 s ± 5 s Insulation resistance Test voltage: Insulation voltage Duration: 1 min. | No breakdown or flash over R ≥ 1 G Ω |
| 4 | Solderability | Sub-clause 4.17 Without ageing Flux: The resistors shall be immersed in a non-activated soldering flux for 2s. Bath temperature: 235 °C ± 5 °C Immersion time: 2 s ± 0.5 s | As in 4.17.4.5 The terminations shall be covered with a smooth and bright solder coating. |
| 5 | Mounting Overload (in the mounted state) | Sub-clause 4.31 Substrate material: Epoxide woven glass Test substrate: Figure-3 Sub-clause 4.13 The applied voltage shall be 2.5 times the rated voltage or twice the limiting element voltage, whichever is the less severe. Duration: 2 s Visual examination Resistance | No visible damage ΔR ≤ ± (1%+0.05Ω) |

Table-4(2)

| No | Test items | Condition of test (JIS C 5201-1) | Performance requirements |
|----|--|---|--|
| 6 | Mounting Bound strength of the end face plating Final measurements | Sub-clause 4.31 Substrate material: Epoxide woven glass Test substrate: Figure-4 Sub-clause 4.33 Bent value: 3 mm (3225 size max.) 1 mm (5025 size min.) Resistance Sub-clause 4.33.6 Visual examination | $\Delta R \leq \pm (1\%+0.05\Omega)$ No visible damage |
| 7 | Resistance to soldering heat Component resistance solvent | Sub-clause 4.18 Solder temperature: 260 °C ± 5 °C Immersion time: 10 s ± 0.5 s Visual examination Resistance Sub-clause 4.29 Solvent: 2-propanol Solvent temperature: 23 °C ± 5 °C Method 2 Recovery: 48 h Visual examination Resistance | As in 4.18.3.4 No sign of damage such as cracks. $\Delta R \leq \pm (1\%+0.05\Omega)$ No visible damage $\Delta R \leq \pm (1\%+0.05\Omega)$ |
| 8 | Mounting Adhesion Rapid change temperature | Sub-clause 4.31 Substrate material: Epoxide woven glass Test substrate: Figure-3 Sub-clause 4.32 Force: 5 N Duration: 10 s ± 1 s Visual examination Sub-clause 4.19 Lower category temperature: -55 °C Upper category temperature: +125 °C Duration of exposure at each temperature: 30 min. Number of cycles: 5 cycles. Visual examination Resistance | No visible damage No visible damage $\Delta R \leq \pm (1\%+0.05\Omega)$ |

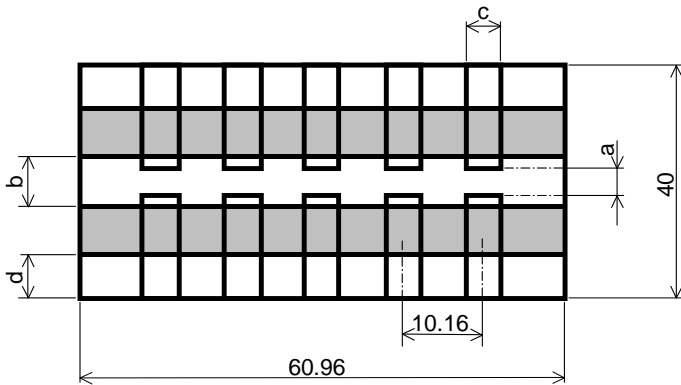
Table-4(3)

| No | Test items | Condition of test (JIS C 5201-1) | Performance requirements |
|----|---|---|--|
| 9 | Climatic sequence -Dry heat -Damp heat, cycle (12+12hour cycle) First cycle -Cold -Damp heat, cycle (12+12hour cycle) Remaining cycle -D.C. load | Sub-clause 4.23 Sub-clause 4.23.2 Test temperature: +125 °C Duration: 16 h Sub-clause 4.23.3 Test method: 2 Test temperature: 55 °C [Severity(2)] Sub-clause 4.23.4 Test temperature -55 °C Duration: 2h Sub-clause 4.23.6 Test method: 2 Test temperature: 55 °C [Severity (2)] Number of cycles: 5 cycles Sub-clause 4.23.7 The applied voltage shall be the rated voltage or the limiting element voltage whichever is the smaller. Duration: 1 min. Visual examination Resistance | No visible damage $\Delta R \leq \pm (5\%+0.1\Omega)$ |
| 10 | Mounting Endurance at 70 °C | Sub-clause 4.31 Substrate material: Epoxide woven glass (FCR1 may use Alumina substrate.) Test substrate: Figure-3 Sub-clause 4.25.1 Ambient temperature: 70 °C ± 2 °C Duration: 1000 h The voltage shall be applied in cycles of 1.5 h on and 0.5 h. The applied voltage shall be the rated voltage or the limiting element voltage whichever is the smaller. Examination at 48 h , 500 h and 1000 h: Visual examination Resistance | No visible damage $\Delta R \leq \pm (5\%+0.1\Omega)$ |

Table-4(4)

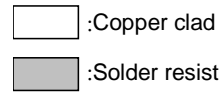
| No | Test items | Condition of test (JIS C 5201-1) | Performance requirements |
|----|--|---|---|
| 11 | Mounting Variation of resistance with temperature | Sub-clause 4.31 Substrate material: Epoxide woven glass Test substrate: Figure-3 Sub-clause 4.8 - 55 °C / + 20 °C + 20 °C / + 125°C | As in Table-1 |
| 12 | Mounting Damp heat, steady state | Sub-clause 4.31 Substrate material: Epoxide woven glass Test substrate: Figure-3 Sub-clause 4.24 Ambient temperature: 40 °C ± 2 °C Relative humidity : 93^{+2}_{-3} % a) 1st group: without voltage applied. b) 2nd group: The d. c. voltage shall be applied continuously. The voltage shall be accordance with Sub-clause 4.24.2.1 b). without polarizing voltage [4.24.2.1, c] Visual examination Resistance | No visible damage $\Delta R \leq \pm (5\%+0.1\Omega)$ |
| 13 | Dimensions (detail) Mounting Endurance at upper category temperature | Sub-clause 4.4.3 Sub-clause 4.31 Substrate material: Epoxide woven glass Test substrate: Figure-3 Sub-clause 4.25.3 Ambient temperature: 125 °C ± 2 °C Duration: 1000 h Examination at 48 h, 500 h and 1000 h: Visual examination Resistance | As in Table-3 No visible damage $\Delta R \leq \pm (5\%+0.1\Omega)$ |

7. Test substrate

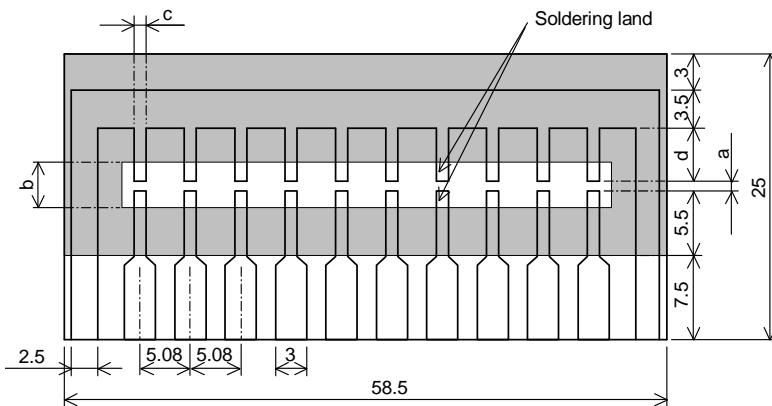


FCR1/2, 1 TEST SUBSTRATE

Unit: mm

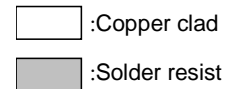


| Style | a | b | c | d |
|--------|-----|-----|-----|-----|
| FCR1/2 | 4.0 | 7.5 | 2.0 | 7.5 |
| FCR 1 | 5.0 | 9.0 | 4.5 | 7.5 |

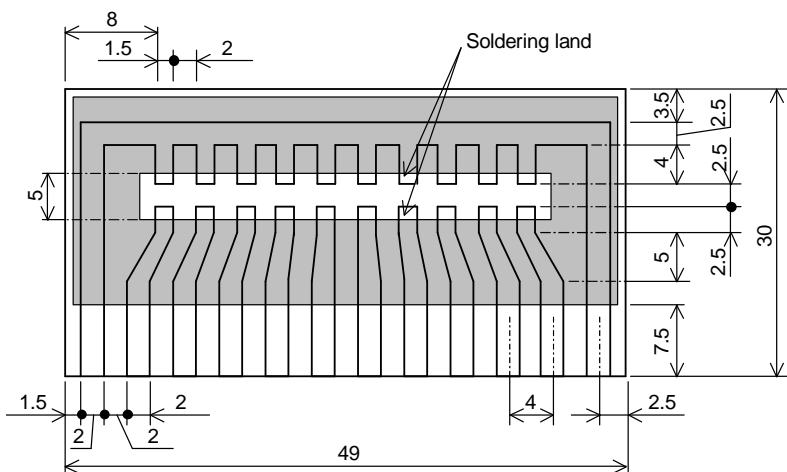


FCR TEST SUBSTRATE

Unit: mm



| Style | a | b | c | d |
|---------|-----|-----|-----|-----|
| FCR1/16 | 1.0 | 3.6 | 1.0 | 4.5 |
| FCR1/10 | 1.2 | 4.0 | 1.5 | 4.3 |
| FCR1/4 | 2.2 | 5.0 | 2.9 | 3.3 |



FCR1/8 TEST SUBSTRATE

Unit: mm

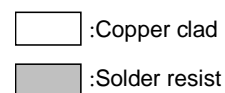


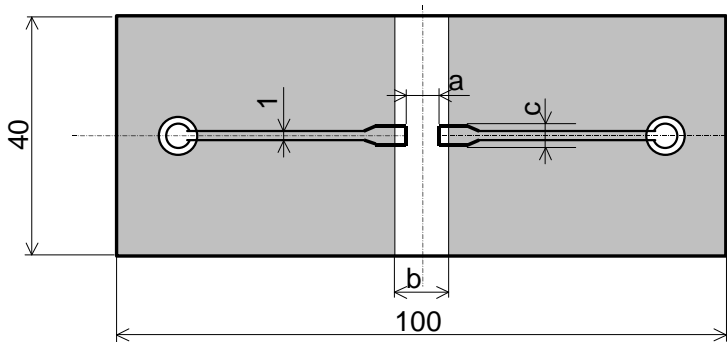
Figure-3

Remark 1). Material: Epoxide woven glass

Thickness: 1.6mm Thickness of copper clad: 0.035mm

2). In the case of connection by connector, the connecting terminals are gold plated.

However, the plating is not necessary when the connection is made by soldering.

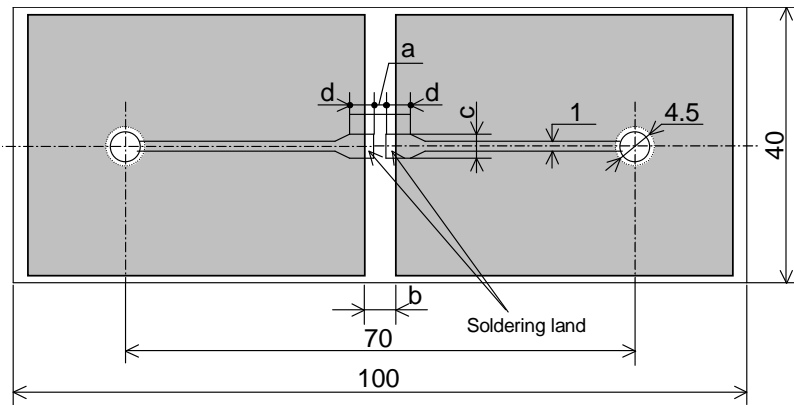


Unit: mm

□ :Copper clad
■ :Solder resist

| Style | a | b | c |
|--------|-----|-----|-----|
| FCR1/2 | 4.0 | 7.5 | 3.0 |
| FCR1 | 5.0 | 9.0 | 4.0 |

FCR1/2, 1 BOUND STRENGTH OF THE END FACE PLATING TEST SUBSTRATE



Unit: mm

□ :Copper clad
■ :Solder resist

| Style | a | b | c | d |
|---------|-----|-----|------|-----|
| FCR1/16 | 1.0 | 3.6 | 1.2 | 3.0 |
| FCR1/10 | 1.2 | 4.0 | 1.65 | 3.0 |
| FCR1/8 | 2.5 | 5.0 | 2.0 | 2.5 |
| FCR1/4 | 2.2 | 5.0 | 2.9 | 2.5 |

FCR BOUND STRENGTH OF THE END FACE PLATING TEST SUBSTRATE

Remark 1). Material: Epoxide woven glass
Thickness: 1.6mm Thickness of copper clad: 0.035mm

Figure-4

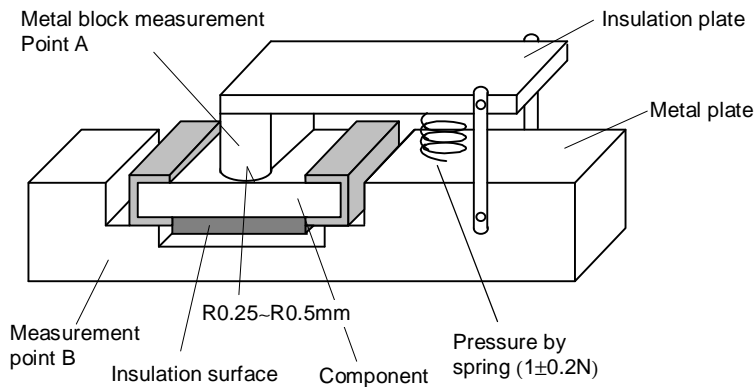


Figure-5

8. Taping

8.1 Applicable documents JIS C 0806-3: 2014, EIAJ ET-7200C: 2010

8.2 Taping dimensions

8.2.1 Paper taping (8mm width, 4mm pitches)

Taping dimensions shall be in accordance with Figure-6 and Table-5.

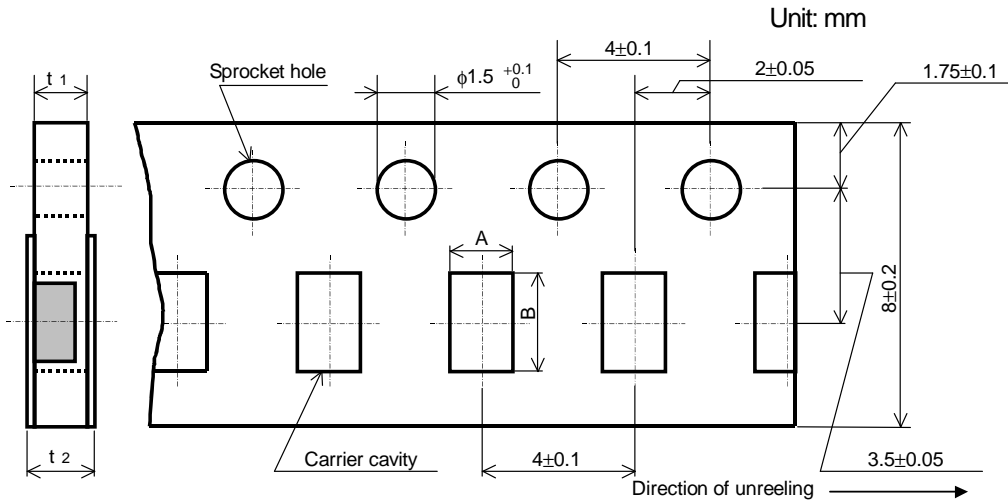


Figure-6

Table-5

| Style | A | B | t ₁ | t ₂ |
|---------|-----------|---------|----------------|----------------|
| FCR1/16 | 1.15±0.15 | 1.9±0.2 | 0.6±0.1 | 0.8max. |
| FCR1/10 | 1.65±0.15 | 2.5±0.2 | 0.8±0.1 | 1.0max. |
| FCR1/8 | 2.0±0.15 | 3.6±0.2 | | |

8.2.2 Embossed taping dimensions shall be in accordance with Figure-7 and Table-6.

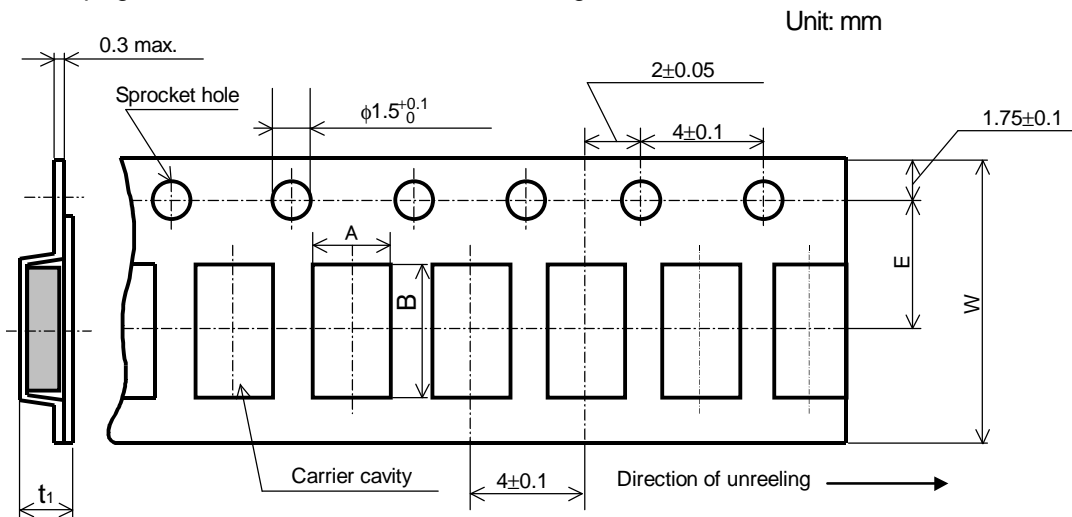


Figure-7

Table-6

| Style | A | B | W | E | t ₁ |
|--------|-----------|---------|----------|----------|----------------|
| FCR1/4 | 2.85±0.20 | 3.5±0.2 | 12.0±0.3 | 5.5±0.05 | 1.1±0.15 |
| FCR1/2 | 3.1±0.2 | 5.5±0.2 | | | |
| FCR 1 | 3.6±0.2 | 6.9±0.2 | | | |

- 1). The cover tapes shall not cover the sprocket holes.
- 2). Tapes in adjacent layers shall not stick together in the packing.
- 3). Components shall not stick to the carrier tape or to the cover tape.
- 4). Pitch tolerance over any 10 pitches $\pm 0.2\text{mm}$.
- 5). The peel strength of the top cover tape shall be with in 0.1N to 0.5N on the test method as shown in the following
FCR1/16,1/10,1/8: Figure-8, FCR1/4, 1/2, 1: Figure-9.
- 6). When the tape is bent with the minimum radius for FCR1/16,1/10,1/8,1/4: 25 mm, or FCR1/2, 1: 30 mm, the tape shall not be damaged and the components shall maintain their position and orientation in the tape.
- 7). In no case shall there be two or more consecutive components missing.
The maximum number of missing components shall be one or 0.1%, whichever is greater.
- 8). The resistors shall be faced to upward at the over coating side in the carrier cavity.

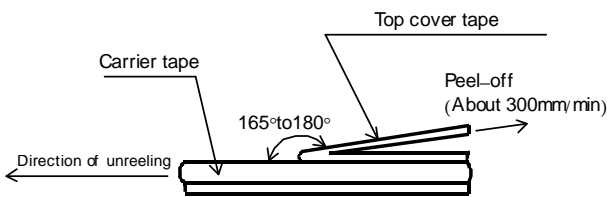


Figure-8

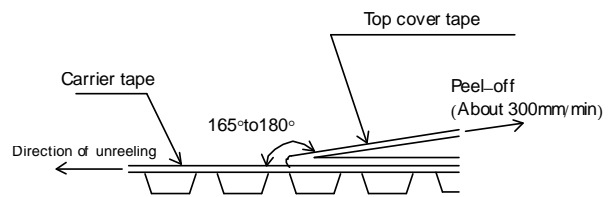


Figure-9

8.3 Reel dimension

Reel dimensions shall be in accordance with the following Figure-10 and Table-7.
Plastic reel (Based on EIAJ ET-7200C) Unit: mm

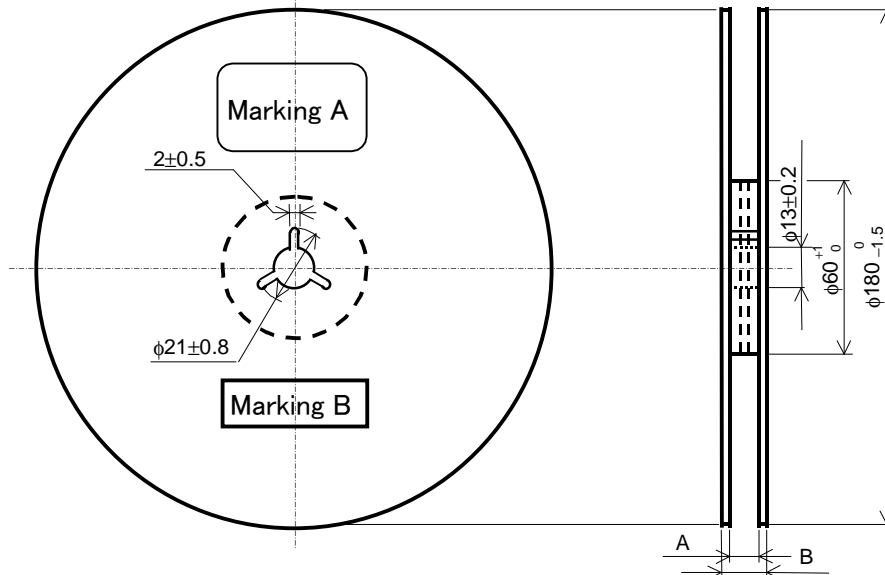


Figure-10

Table-7

Unit: mm

| Style | A | B | Note |
|----------------------|-----------------------------------|----------|-------------------|
| FCR1/16,1/10,1/8,1/4 | 9 ^{+1.0} / ₀ | 11.4±1.0 | Injection molding |
| | | 13±1.0 | Vacuum forming |
| FCR1/2,1 | 13 ^{+1.0} / ₀ | 17±1.0 | Vacuum forming |

Note: Marking label shall be marked on a place of Marking A or two place of marking A and B.

8.4 Leader and trailer tape.

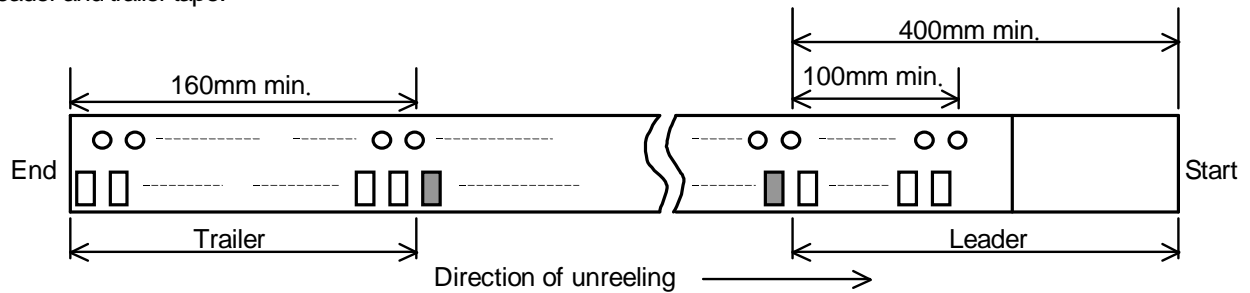


Figure-11

9. Marking on package

The label of a minimum package shall be legibly marked with follows.

9.1 Marking A

- (1) Classification (Style, Rated resistance, Tolerance on rated resistance, Packaging form)
- (2) Quantity (3) Lot number (4) Manufacturer's name or trade mark (5) Others

9.2 Marking B (KAMAYA Control label)